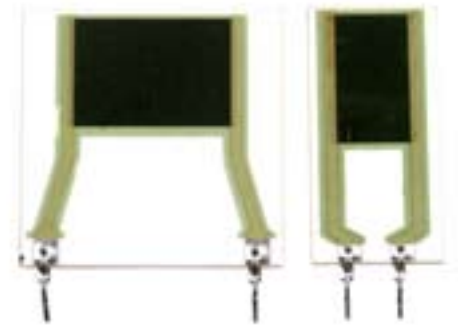


The FCR resistors use thick film technology on an alumina substrate. The design yields greater power densities, requiring substantially less board space, than other radial packages.

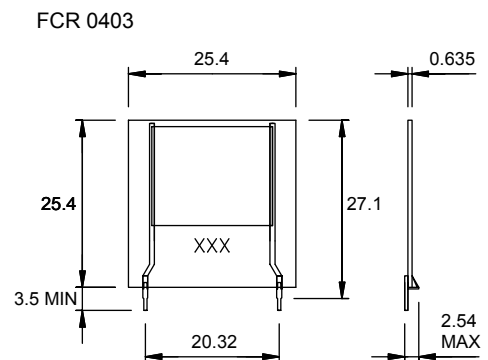
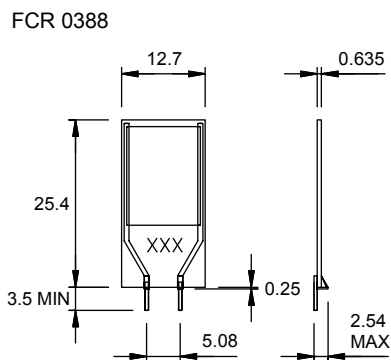
- High power density
- Non inductive
- Planar package
- Heat dissipated well above board level



Characteristics

Power dissipation:	FCR 0388 5W, FCR 0403 10W. Ambient temperature @70°C
Resistance range:	FCR0388 1R - 200k, FCR0403 1R - 200k
Nominal tolerance:	±5%
Temperature coefficient:	±100 ppm/°C
Maximum voltage:	300 V AC / 500 V DC
Dielectric strength:	5kV
Derating:	Linearly to zero at 125°C from 70°C
Operating temp. range:	-55°C to +125°C

Dimensions (mm)



ARCOL UK Limited,
Threemilestone Ind. Estate,
Truro, Cornwall, TR4 9LG, UK.
T +44 (0) 1872 277431
F +44 (0) 1872 222002
E sales@arcolresistors.com

www.arcolresistors.com

The information contained herein does not form part of a contract and is subject to change without notice. Arcol operate a policy of continual product development, therefore, specifications may change.

It is the responsibility of the customer to ensure that the component selected from our range is suitable for the intended application. If in doubt please ask Arcol.